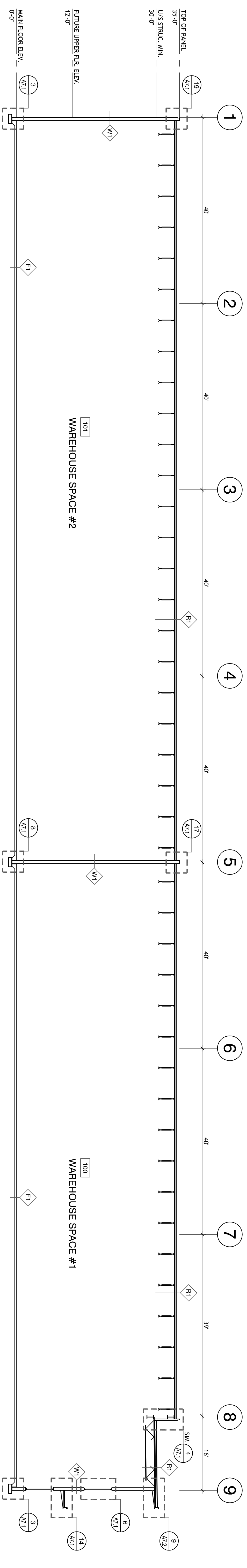
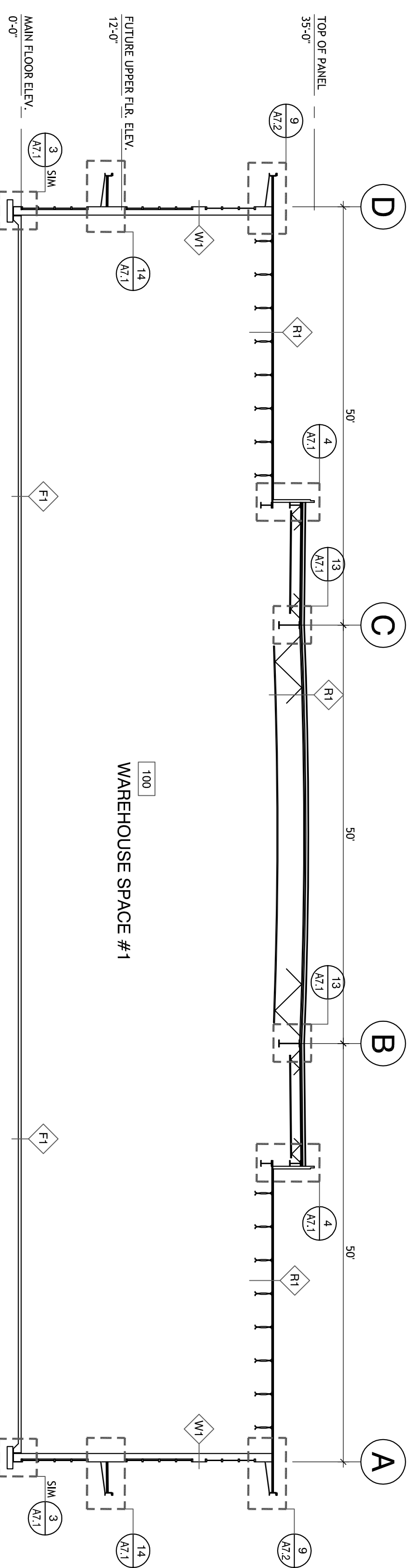


1
BUILDING SECTION
 SCALE: 3/32" = 1'-0"

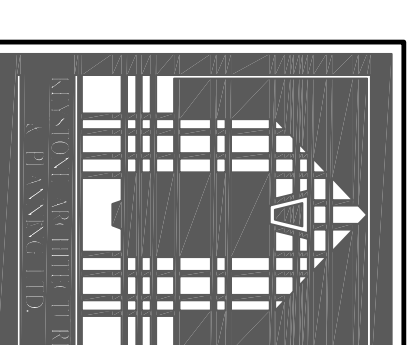
4
BUILDING SECTION
 SCALE: 3/32" = 1'-0"



2
BUILDING SECTION
 SCALE: 3/32" = 1'-0"



3
BUILDING SECTION
 SCALE: 3/32" = 1'-0"



Keystone Architecture & Planning Ltd.
 110 - 7881 Garden Street, Abbotsford, BC V2T 4X1
 Tel: 604-853-1528 or 604-850-0577
 Fax: 604-853-8178
 Email: Mail@keystonearch.ca
 Web: www.keystonearch.ca

Issues & Revisions List		
No.	Description	Date
1.	DESIGN	OCT 1, 06
2.	BP APPLICATION	DEC 12, 06
3.	SITE REVISION	MAR 12, 07
4.	BP RESUBMISSION	APR 30, 07
5.	BP RESUBMISSION	JUL 13, 07
6.	ISSUE FOR CONSTRUCTION	JUL 2, 08

Project
WHEEL AVENUE
WAREHOUSE
 (BUILDING SHELL ONLY)
 31035 WHEEL AVENUE,
 ABBOTSFORD, B.C.

Drawing Title		Drawing No.	
BUILDING SECTIONS		A5.0	
Job No.: 06-103	Scale: AS NOTED	Start Date: OCT, 06	Drawn: LW